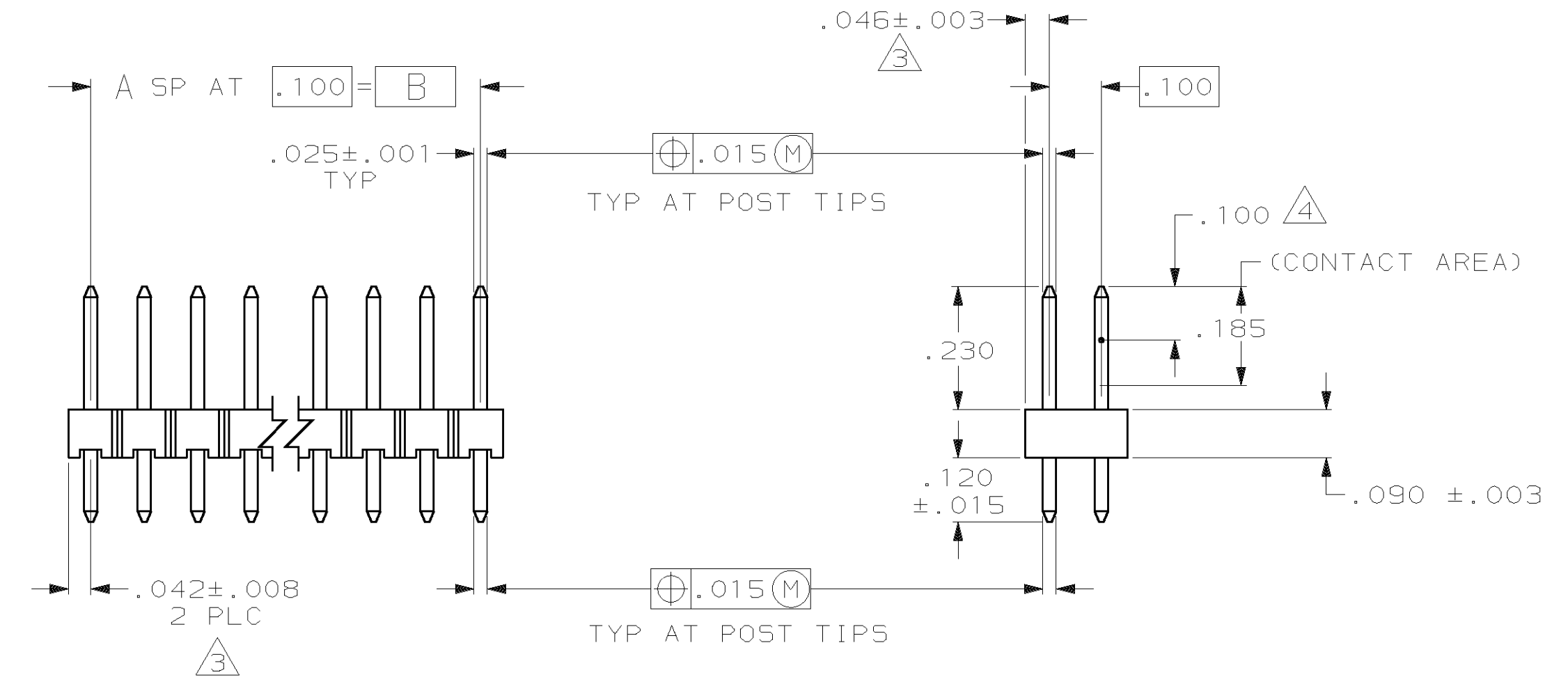
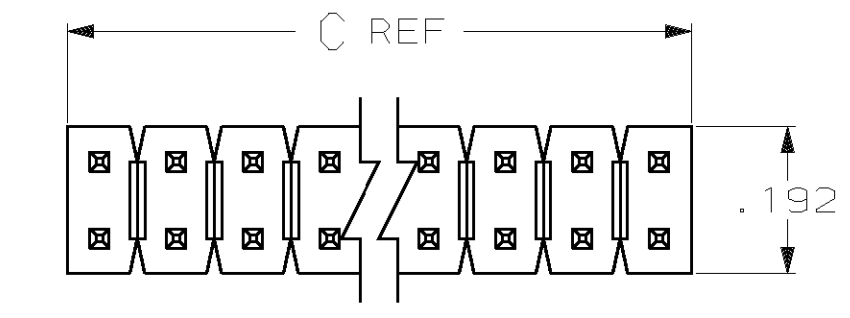


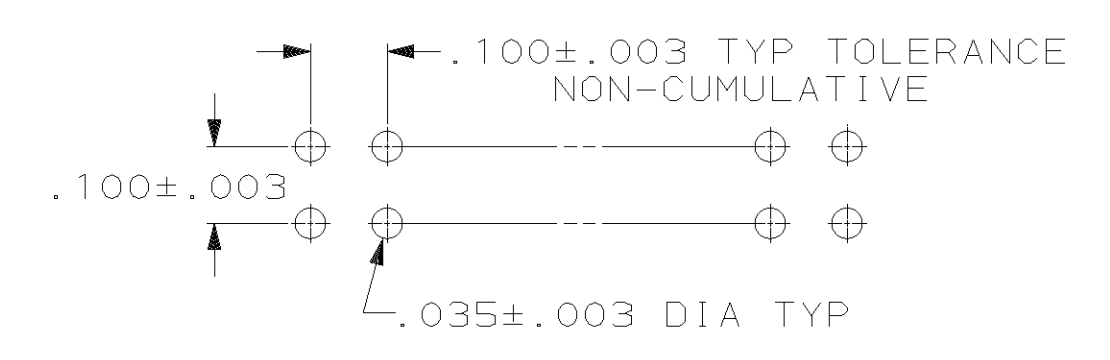
DRAWING MADE IN THIRD ANGLE PROJECTION
 THIS DRAWING IS UNPUBLISHED. RELEASED FOR PUBLICATION
 © COPYRIGHT 19 BY AMP INCORPORATED, HARRISBURG, PA. ALL INTERNATIONAL RIGHTS RESERVED. AMP PRODUCTS MAY BE COVERED BY U.S. AND FOREIGN PATENTS AND/OR PATENTS PENDING.

REVISIONS								
LOC	DIST	P	F	ZONE	LTR	DESCRIPTION	DATE	APPD
AD	39			B		REV&REDRAWN ECN 1704		
				C		REV LOC & DIST AD-4171	3-90	BF
				D		RELEASE -41	10/04/91	KTH
				E		REV PER ECN 0010-0187-92	11/23/92	JK
				F		REV PER ECN 0010-0436-95	1-11-97	GD
				G		REV PER 0621-0244-98	30NOV99	JG
				H		REV PER 063C-0249-99	03FEB00	JG



REMARKS	C	B	A	NO OF POSN	PART NUMBER
	1.284	1.200	12	26	4-103186-1
	3.984	3.900	39	80	4-103186-0
	3.884	3.800	38	78	3-103186-9
	3.784	3.700	37	76	3-103186-8
	3.684	3.600	36	74	3-103186-7
	3.584	3.500	35	72	3-103186-6
	3.484	3.400	34	70	3-103186-5
	3.384	3.300	33	68	3-103186-4
	3.284	3.200	32	66	3-103186-3
	3.184	3.100	31	64	3-103186-2
	3.084	3.000	30	62	3-103186-1
	2.984	2.900	29	60	3-103186-0
	2.884	2.800	28	58	2-103186-9
	2.784	2.700	27	56	2-103186-8
	2.684	2.600	26	54	2-103186-7
	2.584	2.500	25	52	2-103186-6
	2.484	2.400	24	50	2-103186-5
	2.384	2.300	23	48	2-103186-4
	2.284	2.200	22	46	2-103186-3
	2.184	2.100	21	44	2-103186-2
	2.084	2.000	20	42	2-103186-1
	1.984	1.900	19	40	2-103186-0
	1.884	1.800	18	38	1-103186-9
	1.784	1.700	17	36	1-103186-8
	1.684	1.600	16	34	1-103186-7
	1.584	1.500	15	32	1-103186-6
	1.484	1.400	14	30	1-103186-5
	1.384	1.300	13	28	1-103186-4
	1.284	1.200	12	26	1-103186-3
	1.184	1.100	11	24	1-103186-2
	1.084	1.000	10	22	1-103186-1
	.984	.900	9	20	1-103186-0
	.884	.800	8	18	103186-9
	.784	.700	7	16	103186-8
	.684	.600	6	14	103186-7
	.584	.500	5	12	103186-6
	.484	.400	4	10	103186-5
	.384	.300	3	8	103186-4
	.284	.200	2	6	103186-3
	.184	.100	1	4	103186-2
	.084	---	---	2	103186-1

- ASSEMBLY MAY BE BROKEN TO THE DESIRED NUMBER OF POSITIONS
 - TRUE POSITION TOLERANCE OF THE POST TIPS APPLIES WHEN THE HEADER IS HELD FLAT AGAINST THE PRINTED CIRCUIT BOARD
- △ THE NOTED DIMENSIONS APPLY AT THE INTERSECTION OF THE POST AND HOUSING
 △ POINT OF MEASUREMENT FOR PLATING THICKNESS
 △ PART INDICATED IS PACKAGED IN "SINGLE TUBES"



RECOMMENDED HOLE LAYOUT

UNLESS OTHERWISE SPECIFIED DIMENSIONS ARE IN INCHES TOLERANCES ON:		DR 10-13-87 H MOLL		AMP INCORPORATED Harrisburg, Pa. 17105	
2 PL DEC ± .005		CHK 10-20-87 T. CLARK			
3 PL DEC ± .005		APPD 10-20-87 T. CLARK		NAME HEADER ASSY, MOD 11, BREAKAWAY, DOUBLE ROW, .100X.100¢, VERTICAL, WITH .025 SQ POSTS	
ANGLES ±		PRODUCT SPEC		SIZE D	
MATERIAL: HOUSING: FLAME RETARDANT THERMOPLASTIC; COLOR-BLACK		APPLICATION SPEC		FSCM NO 00779	
POST: PHOSPHOR BRONZE		WEIGHT		DRAWING NO 103186	
FINISH: POSTS: .000015 GOLD ON CONTACT AREA, .000100-.000200 MATTE TIN-LEAD ON SOLDER TAIL ALL OVER .000050 NICKEL		SCALE 4:1		SHEET 1 OF 1	